



Strojirenský zkušební ústav, s.p.
(Engineering Test Institute, Public Enterprise)
Product Certification Body
Hudcova 424/56b, 621 00 Brno, Czech Republic

CERTIFICATE

B-32-00187-17

Manufacturer: ELEKTRON-ETTO, s.r.o.
Školní 185, 753 66 Hustopeče nad Bečvou
Czech Republic

Company ID No.: 26906040

Product: Heating element

Type designation: 0800301270

The Engineering Test Institute, Public Enterprise, hereby certifies that the characteristics of the sample of the product concerned have been found conforming to the applicable requirements

for the IP65 degree of protection as per ČSN EN 60529:1993.


This Certificate has been issued on the basis of Final Report 32-0327 of 2017-02-20, issued by the Engineering Test Institute, Public Enterprise.

Certification scheme applied: ČSN EN ISO/IEC 17067:2014, Scheme 1a.

The rules for using the Certificate are specified on Page 2.

Brno, 2017-02-20




.....
Ing. Tomáš Hruška
Director

B-32-00187-17, page 1 (2)

Strojirenský zkušební ústav, s.p., Hudcova 424/56b, 621 00 Brno, Česká republika
Engineering Test Institute, public enterprise, Hudcova 424/56b, 621 00 Brno, Czech Republic

www.szutest.cz



RULES FOR USING THE CERTIFICATE:

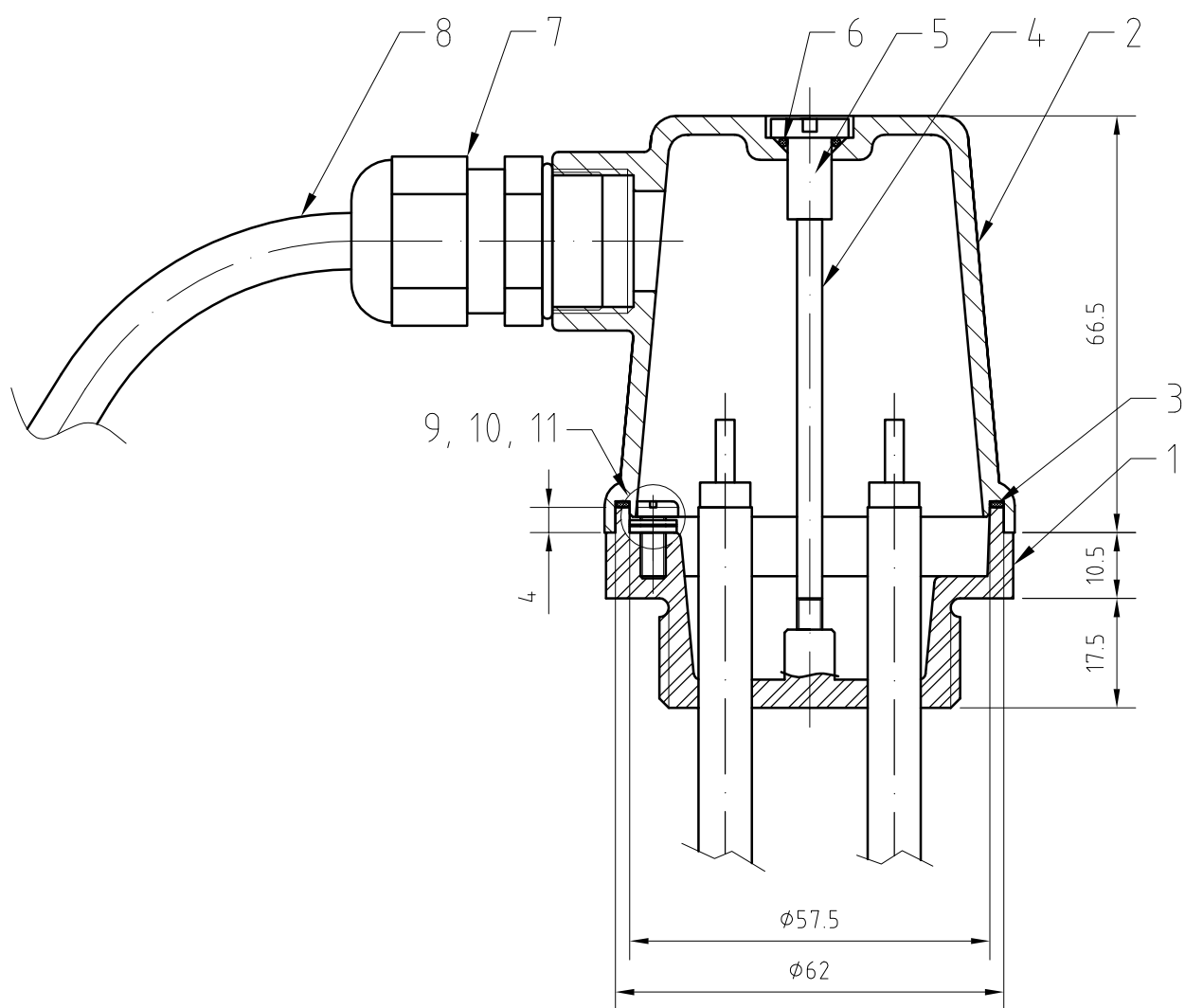
For the purposes of placing the product on the market the Certificate may only be used provided the normative document specified on Page 1 remains valid.

This Certificate may only be used as a certificate for the product specified on Page 1. This also applies to its use in advertising, promotional and commercial materials. Unauthorised or deceptive use of the Certificate may result in its withdrawal.

It is prohibited to change, amend or overwrite the data contained in the Certificate.

The Certificate may not be used for documenting the properties of a product changed without the consent of the Engineering Test Institute, Public Enterprise, in such a way that conformity with the technical requirements specified on Page 1 has been affected.





11	VĚJÍŘOVÁ PODLOŽKA	1	Fe/Zn	ČSN 02 1745.05	
10	PODLOŽKA	1	Ms/Ni	ČSN 02 1702.57	
9	ŠROUB BM4x6	1	Ms/Ni	ČSN 02 1137.87	
8	KABEL PVC	1	VNĚJŠÍ PRŮMĚR 5-12mm		
7	PRŮCHODKA SIBTEC PG16, 5-12mm	1	PVC/NITRIL		EROCOMM
6	O-KROŽEK, $\phi 6 \times 3$	1	NITRIL		
5	MATICE SPOJOVACÍ M4x13	1	Fe/Zn		TKZ Polná
4	ZÁVITOVÁ TYČ M4-80	1	Fe/Zn		
3	O-KROŽEK, $\phi 56 \times 2$	1	NITRIL	ČSN 02 9281	
2	KRYT	1	viz. tabulka provedení	080020031.	
1	TOPNÉ TĚLESO	1	MS 58		PŘÍRUBA: 080020150 , 980020150 .
Poz.	Název	Ks	Materiál	Norma	Poznámka
M	KRESLIL: Mikeška	DATUM: 03.02.2017		LISTŮ: 1	LIST Č.:1
	PODPIS:				
Elektron-ETTO s.r.o. Hustopeče n/B.		NÁZEV: KRYT TOPNÉHO TĚLESA IP 65		ČÍSLO VÝKRESU: 0800301270	