

Catalogue of heating elements

For heating gaseous and liquid media

Standard dimensions and power variants from the production range of Elektron-ETTO s.r.o.

Elektron-ETTO s.r.o. manufactures a complete range of tubular heating elements intended for heating gaseous media (especially air), as well as for specific applications such as cooking plates, storage heaters, infrared radiant systems and indirect heating of liquids or molds. The elements are manufactured in compliance with the harmonised standard EN 60335-1. This catalogue lists standard dimensions and power variants from the current production range — individual parameters of the heating element can be customised according to customer requirements.

Product overview

Heating elements for cooking and warming plates

Type 01011 • Type 01012

Heating elements for storage heaters

Type 01253 • Type 01341

Heating elements for heating gaseous media (air)

Type 01000 • Type 01001 • Type 01002 • Type 01003 • Type 01004 • Type 01010 • Type 01024 • Type 01040 • Type 01045 • Type 01058 • Type 01136 • Type 01182 • Type 01290 • Type 01474

Heating elements for indirect heating of liquids and molds

Type 01336

Heating elements for infrared heating

Type 01508

Heating coil in ceramic beads

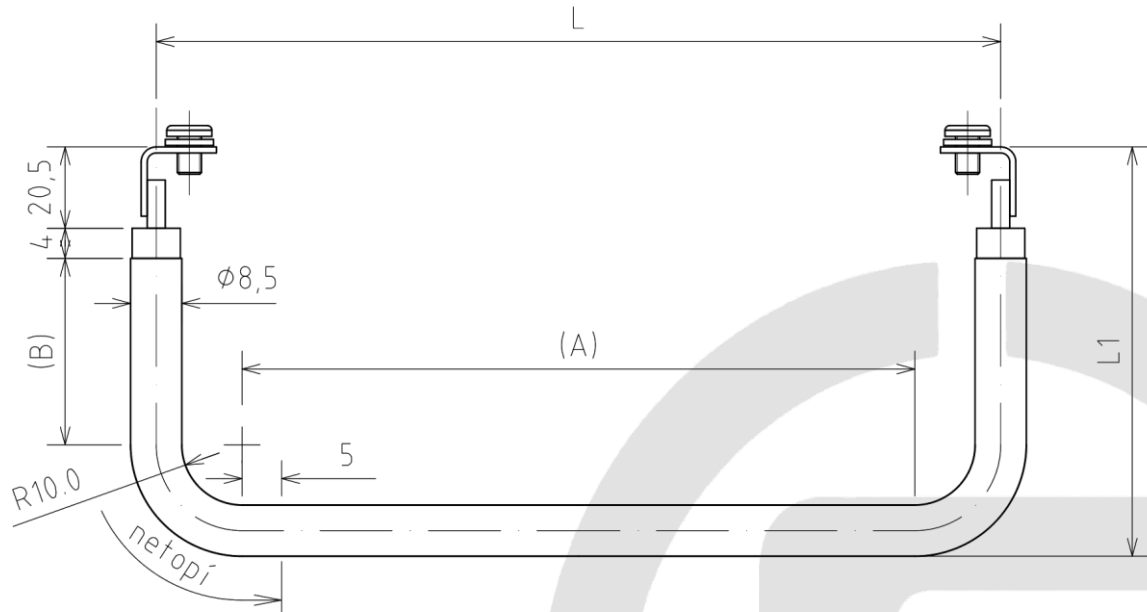
Type 08004



Type 01011/. . .

Heating element for cooking and warming plates.

Version 001 is available for immediate sale from stock.



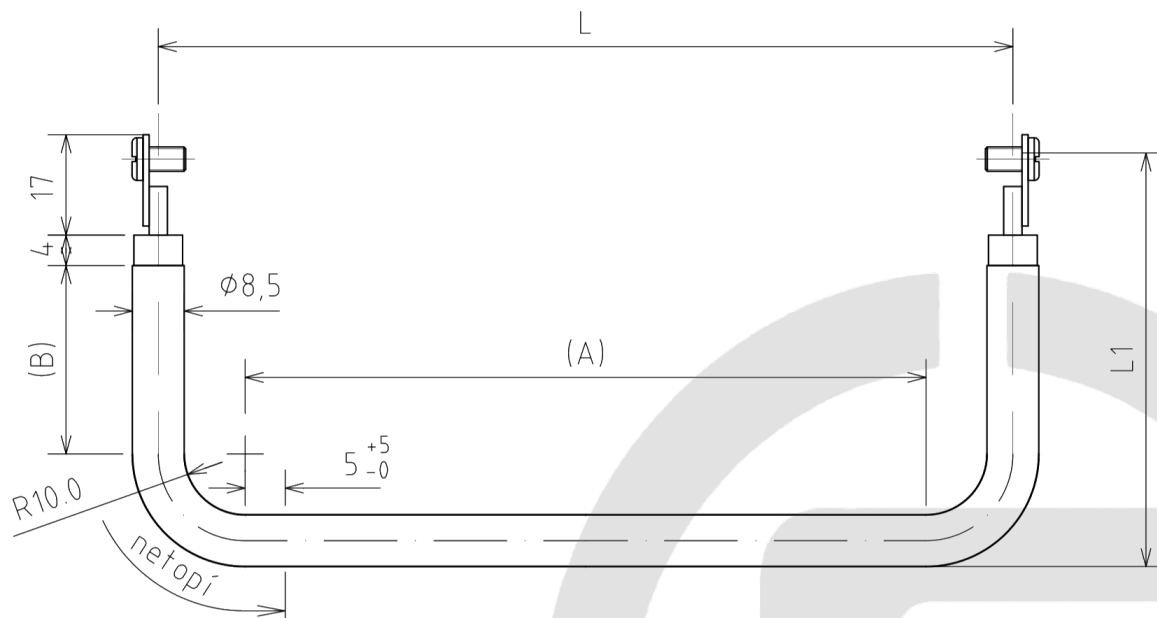
Versions table (Type 01011/. . . 0)

| Version | U [V] | P [W] | L | A | L1 | B |
|---------|-------|-------|-----|-------|----|----|
| 001 | 115 | 410 | 265 | 236,5 | 66 | 23 |
| 002 | 115 | 660 | 274 | 245,5 | 66 | 23 |

Type 01012/. . .

Heating element for cooking and warming plates.

Version 001 is available for immediate sale from stock.

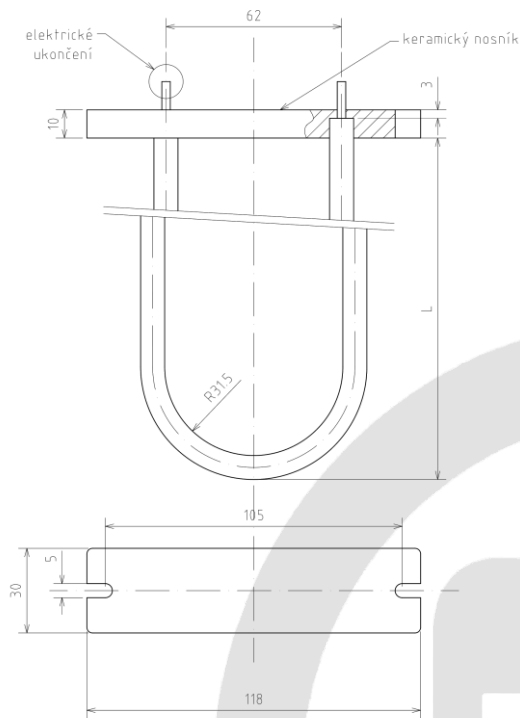


Versions table (Type 01012/. . . 0)

| Version | U [V] | P [W] | L | A | L1 | B |
|---------|-------|-------|----------|-------|----------------------------------|------|
| 001 | 230 | 666 | 562 ±1 | 533,5 | 60 ⁺⁰ / ₋₂ | 20,5 |
| 002 | 230 | 666 | 466,5 ±1 | 438 | 76 | 36,5 |

Type 01253/...

Heating element for storage heaters.

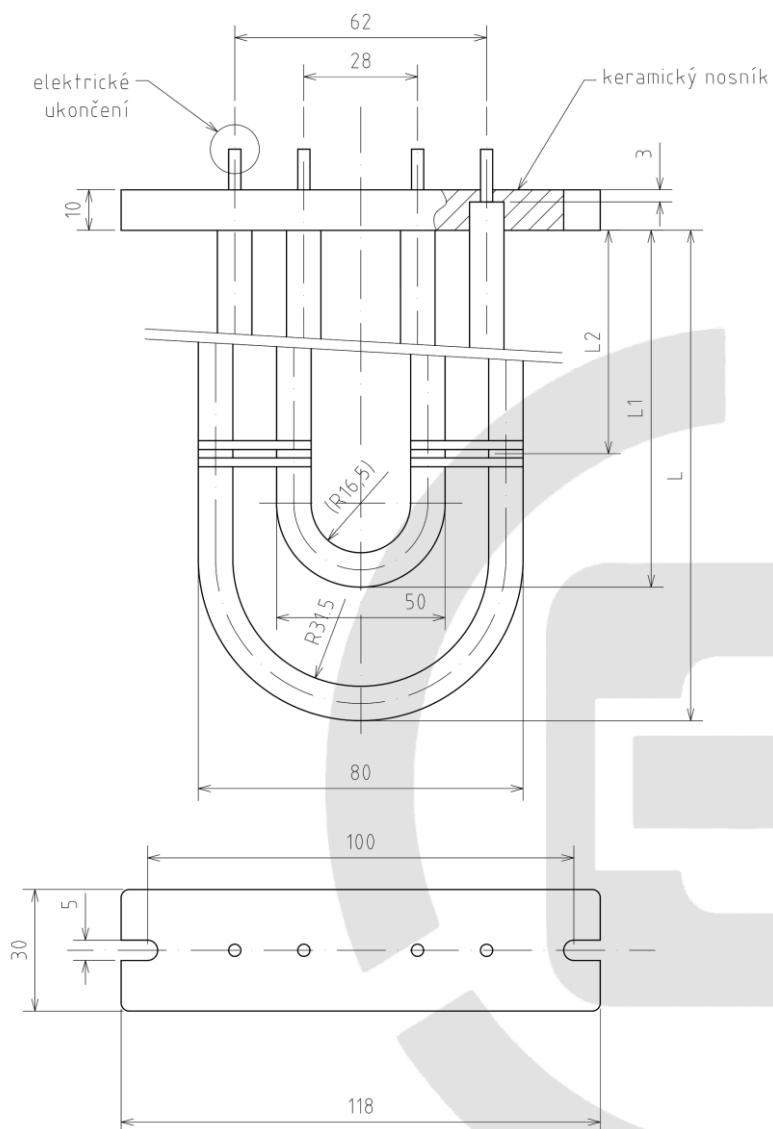


Versions table (Type 01253/... 0)

| Version | U [V] | P [W] | L |
|---------|-------|-------|------|
| 001 | 230 | 750 | 760 |
| 002 | 230 | 833 | 760 |
| 003 | 230 | 1000 | 1010 |
| 004 | 230 | 1333 | 1010 |
| 005 | 230 | 666 | 510 |
| 006 | 230 | 1000 | 760 |
| 007 | 230 | 1000 | 635 |
| 008 | 230 | 1250 | 1010 |
| 009 | 230 | 500 | 500 |

Type 01341/. . . .

Heating element for storage heaters.

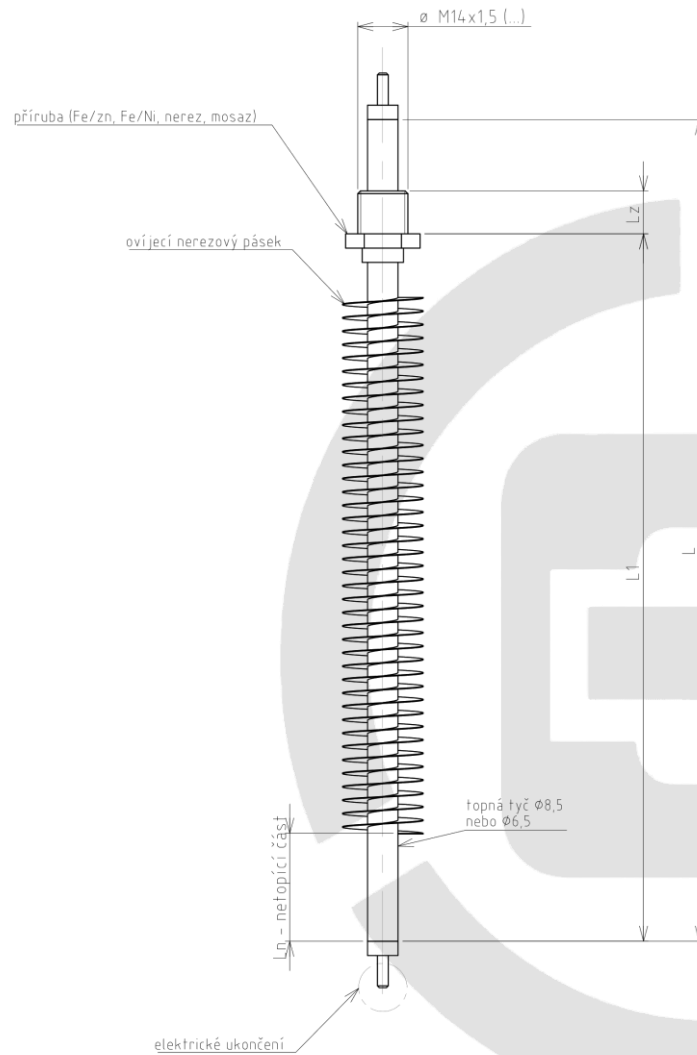


Versions table (Type 01341/. . . 0)

| Version | U [V] | P [W] | L | L1 | L2 |
|---------|-------|-------|------|-----|-----|
| 001 | 230 | 1333 | 760 | 700 | 660 |
| 002 | 230 | 666 | 400 | 340 | 300 |
| 003 | 230 | 1666 | 1010 | 950 | 660 |

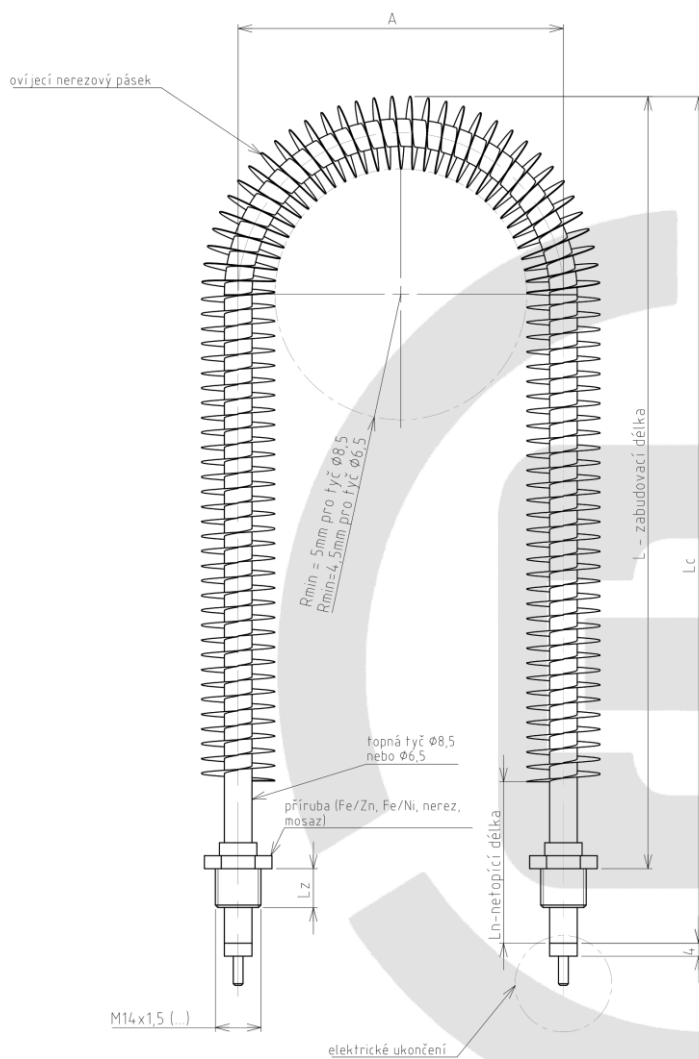
Type 01000/ . . .

Tubular heating element for heating gaseous media (most often air). The version with a wound stainless-steel finned strip increases the heat-transfer surface to the surroundings, thereby extending the service life of the element or allowing an increase in its power. The ideal air flow direction is perpendicular to the wound heating rod.



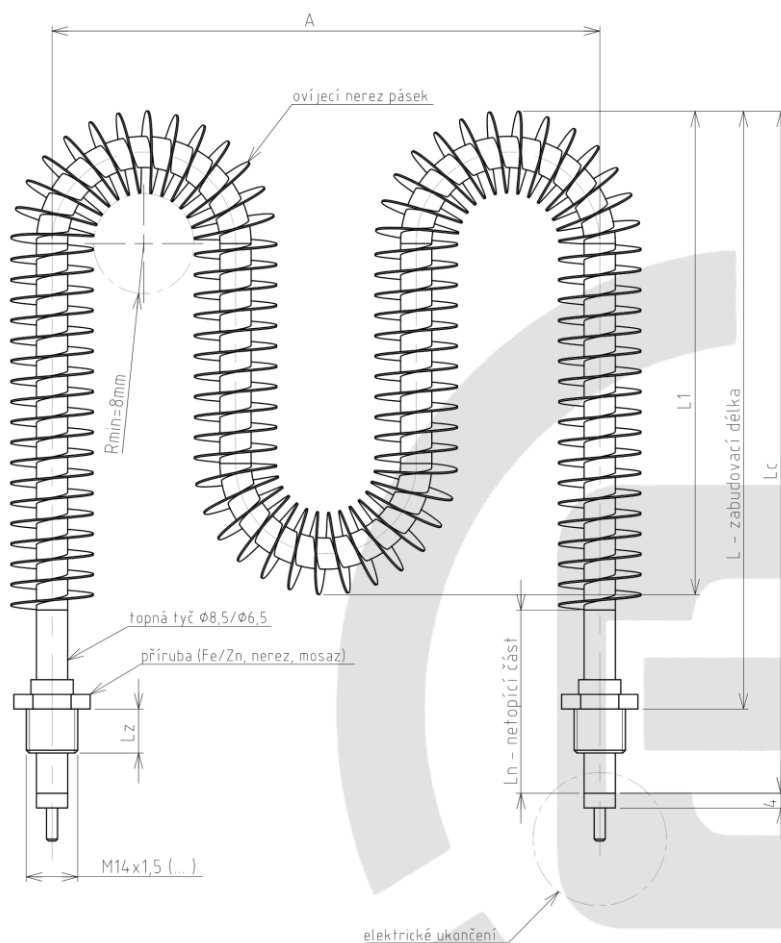
Type 01001/ . . .

Tubular heating element for heating gaseous media (most often air). The version with a wound stainless-steel finned strip increases the heat-transfer surface to the surroundings, thereby extending the service life of the element or allowing an increase in its power. The ideal air flow direction is perpendicular to the wound heating rod.



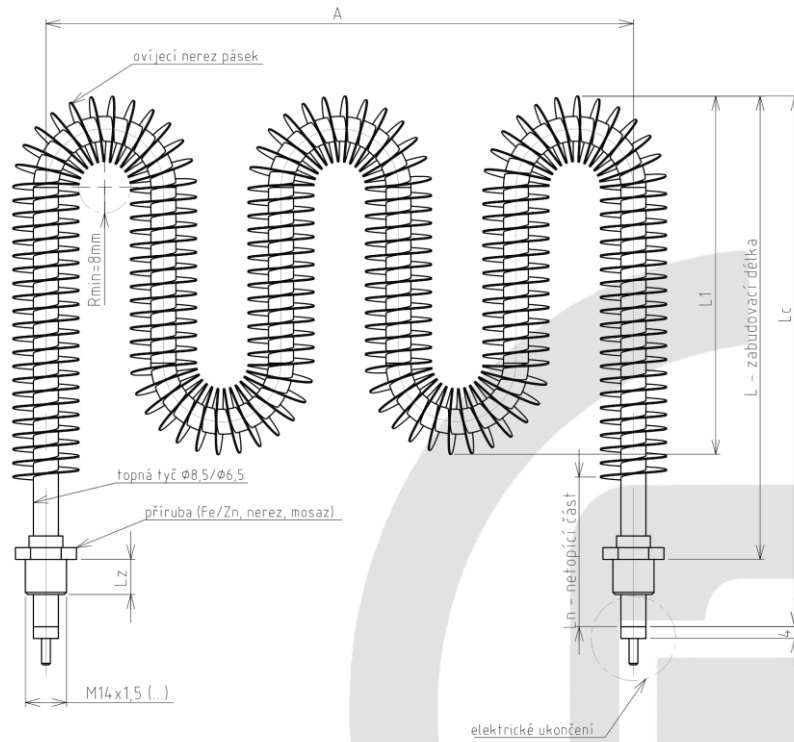
Type 01002/. . .

Tubular heating element for heating gaseous media (most often air). The version with a wound stainless-steel finned strip increases the heat-transfer surface to the surroundings, thereby extending the service life of the element or allowing an increase in its power. The ideal air flow direction is perpendicular to the wound heating rod.



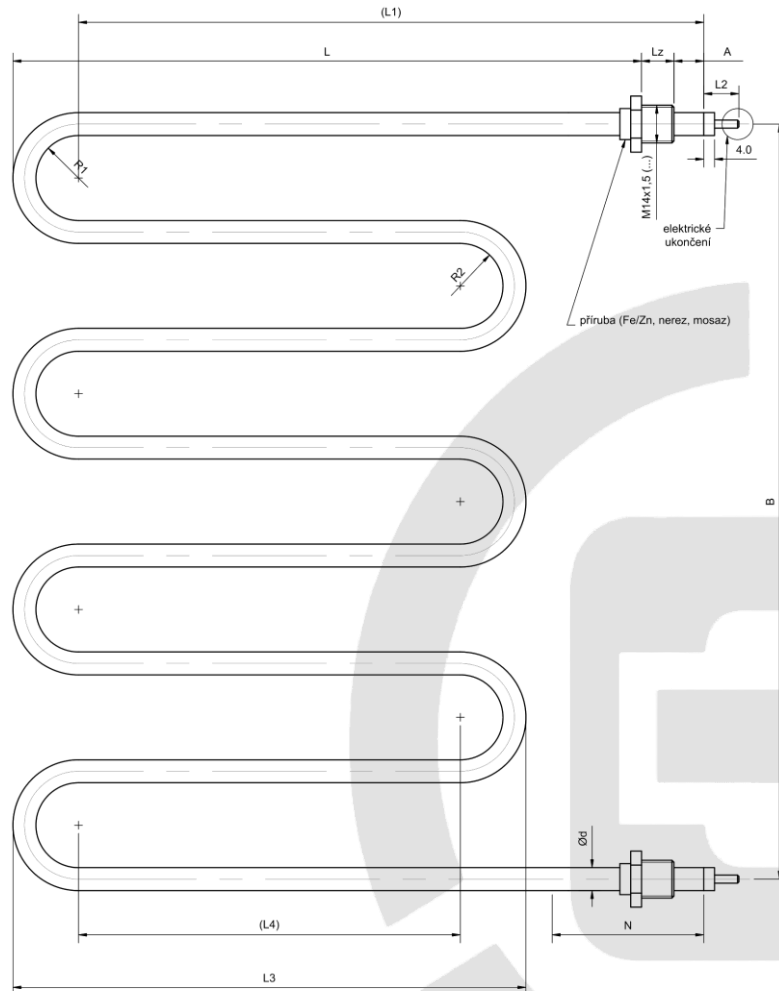
Type 01003/ . . .

Tubular heating element for heating gaseous media (most often air). The version with a wound stainless-steel finned strip increases the heat-transfer surface to the surroundings, thereby extending the service life of the element or allowing an increase in its power. The ideal air flow direction is perpendicular to the wound heating rod.



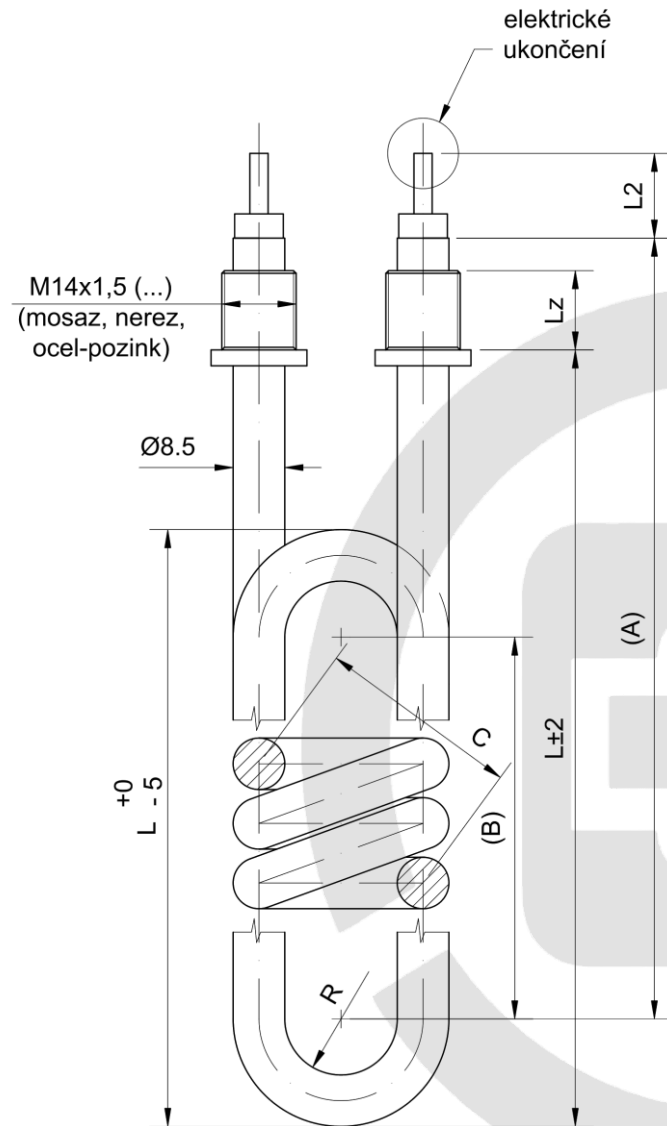
Type 01004/ . . .

Tubular heating element for heating gaseous media in a meander (serpentine) shape. The design with a repeatedly bent heating rod provides a large heat-transfer surface within a compact outline.



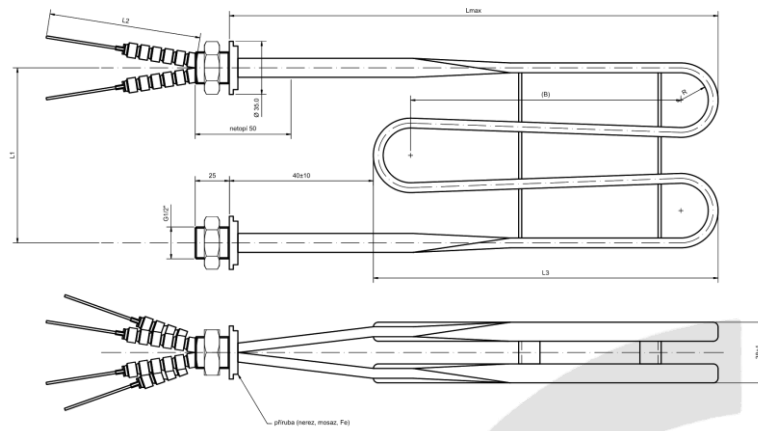
Type 01010/...

Heating element with a coiled U-shaped heating rod featuring a 3-D spiral. The shape extends the active heating length within a confined space.



Type 01024/...

Heating element for air heating.

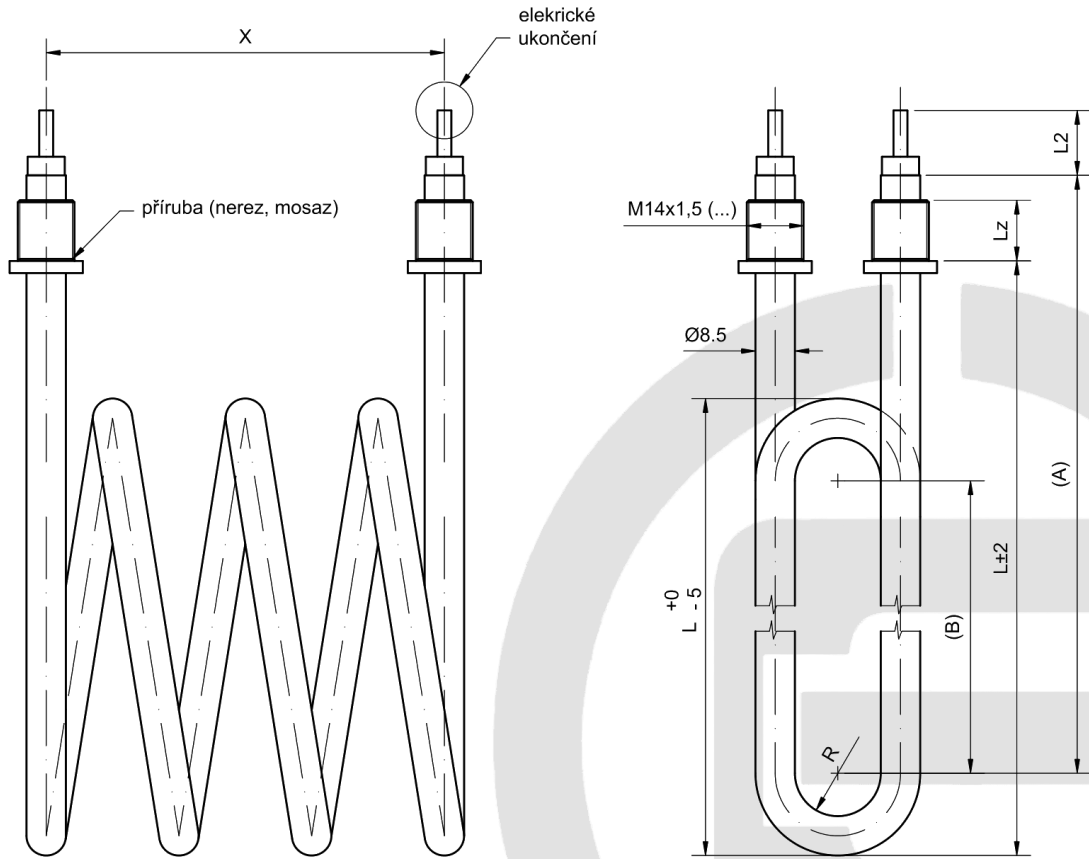


Versions table (Type 01024/... 0)

| Version | U [V] | P [W] | Lmax [mm] | L1 | L2 |
|---------|-------|-------|-----------|-----|-----|
| 001 | 400 | 1750 | 500 | 80 | 150 |
| 002 | 400 | 2500 | 720 | 80 | 100 |
| 003 | 400 | 2000 | 600 | 80 | 300 |
| 004 | 230 | 2000 | 600 | 80 | 300 |
| 005 | 400 | 1000 | 300 | 80 | 300 |
| 006 | 400 | 2500 | 720 | 240 | 100 |
| 007 | 230 | 1000 | 300 | 80 | 300 |
| 008 | 400 | 2000 | 600 | 80 | 300 |
| 009 | 230 | 2500 | 720 | 240 | 100 |
| 010 | 400 | 1500 | 450 | 80 | 500 |
| 011 | 400 | 2000 | 720 | 80 | 100 |
| 012 | 230 | 4000 | 600 | 80 | 300 |

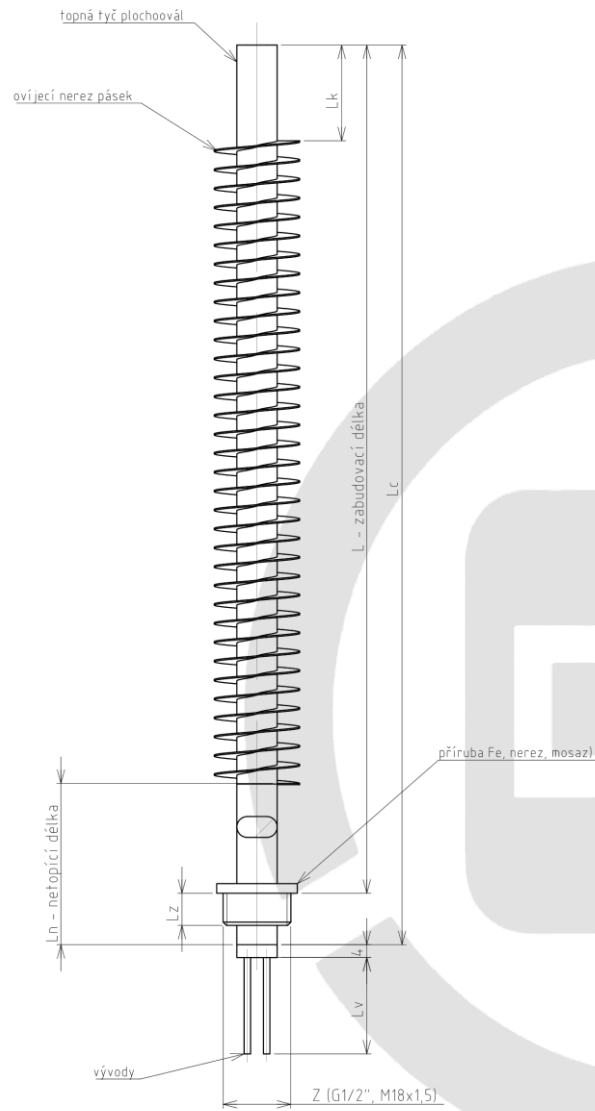
Type 01040/...

Heating element in a meander shape with a straight heating rod folded in a concertina pattern. Suitable for direct air heating in ducts and chambers.



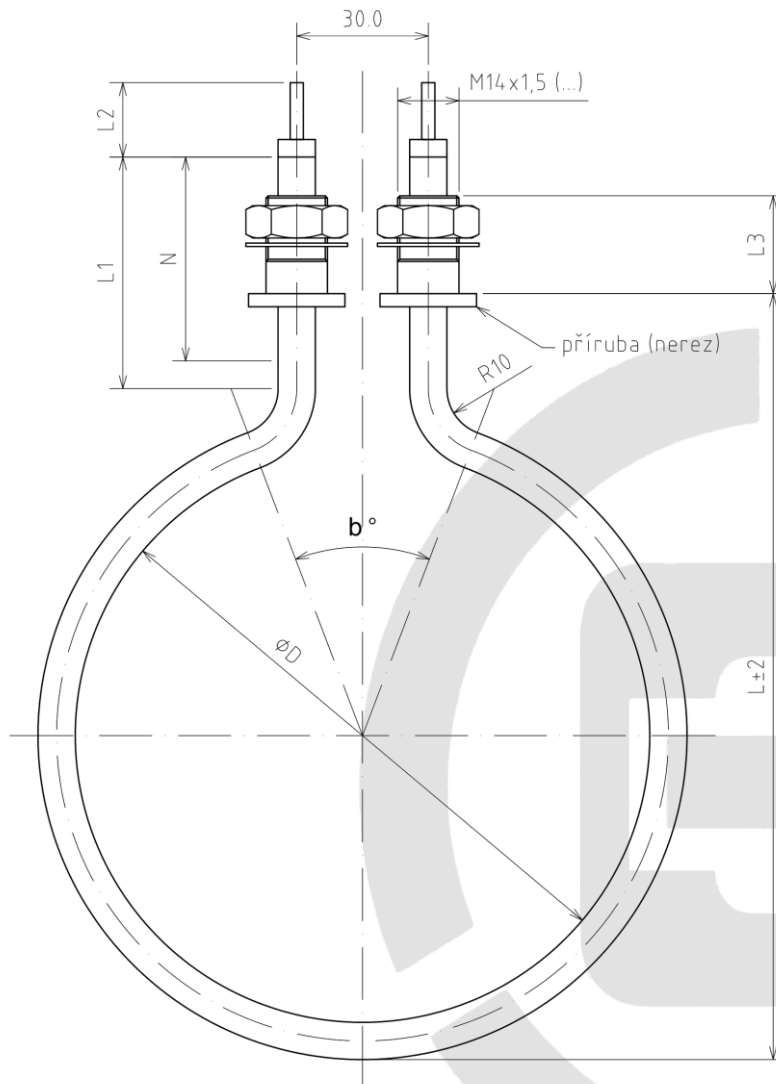
Type 01045/ . . .

Tubular heating element for heating gaseous media (most often air). The version with a wound stainless-steel finned strip increases the heat-transfer surface to the surroundings, thereby extending the service life of the element or allowing an increase in its power. The ideal air flow direction is perpendicular to the wound heating rod.



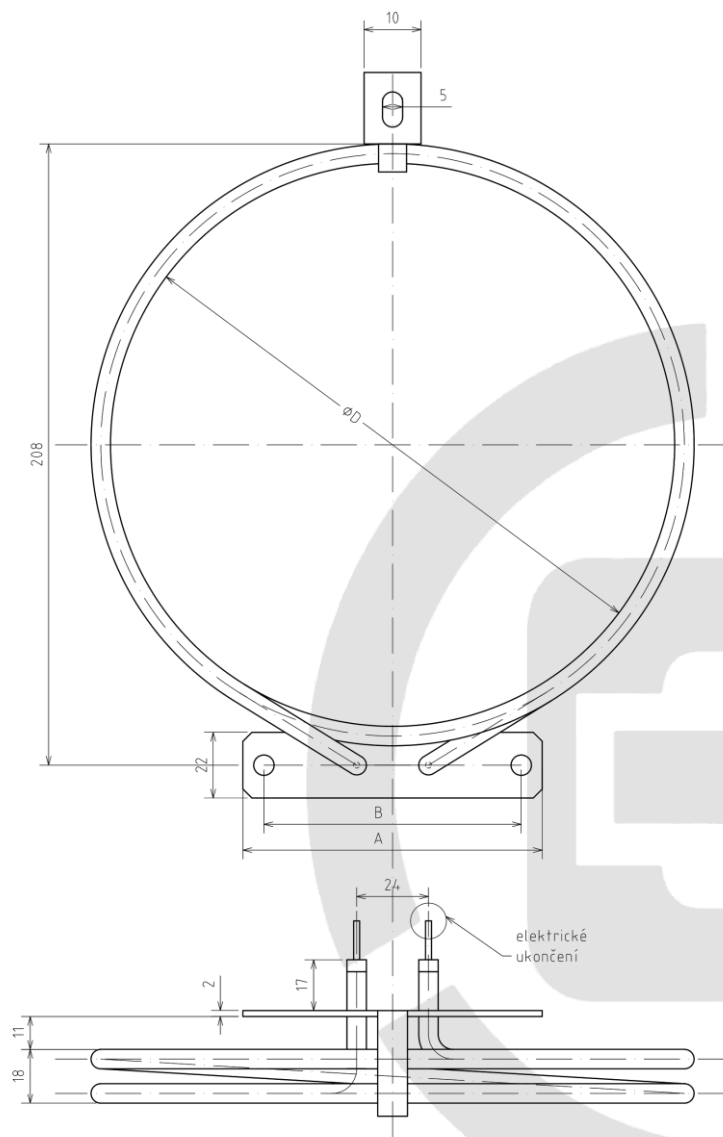
Type 01058/...

Annular heating element for air heating in devices with a circular cross-section.



Type 01136/...

Heating element for air heating in convection ovens and similar appliances.

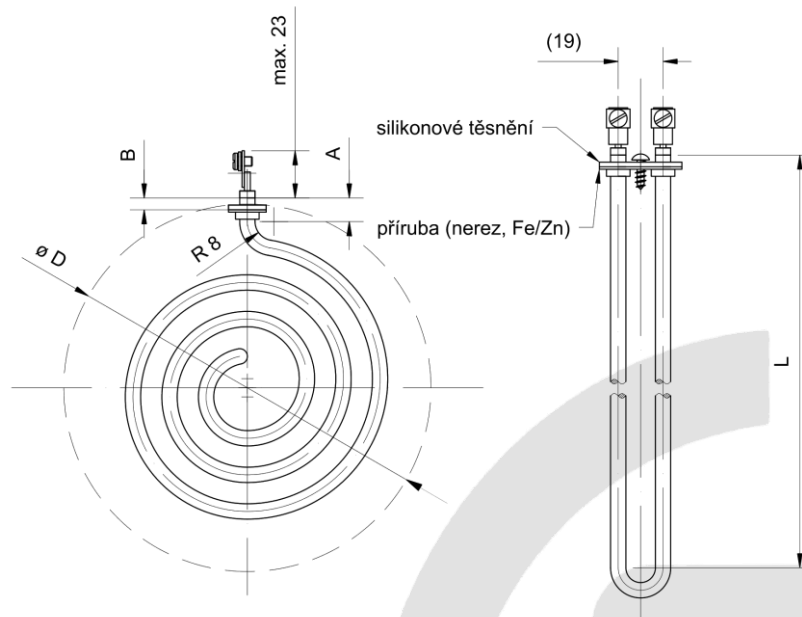


Versions table (Type 01136/... 0)

| Version | U [V] | P [W] | ØD | A | B |
|---------|-------|-------|-----|-----|----|
| 001 | 230 | 2000 | 195 | 100 | 86 |
| 002 | 230 | 2000 | 185 | 70 | 56 |

Type 01182/...

Heating element for heating flowing air in ducts of circular profile with smaller diameters.

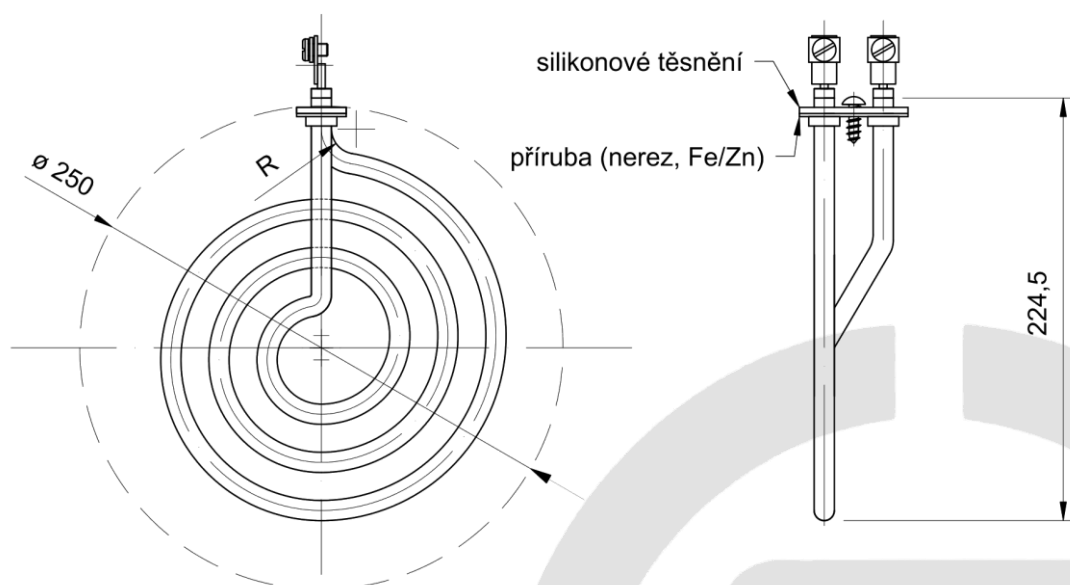


Versions table (Type 01182/... 0)

| Version | U [V] | P [W] | L [mm] | ØD | A | B |
|---------|-------|-------|--------|-----|----|----|
| 000 | 230 | 1200 | 696,5 | 160 | 10 | 5 |
| 001 | 230 | 1000 | 696,5 | 160 | 10 | 5 |
| 002 | 230 | 700 | 696,5 | 160 | 10 | 5 |
| 003 | 230 | 400 | 696,5 | 160 | 10 | 5 |
| 004 | 400 | 1000 | 720 | 195 | 30 | 10 |

Type 01290/...

Heating element for heating flowing air in ducts of circular profile.

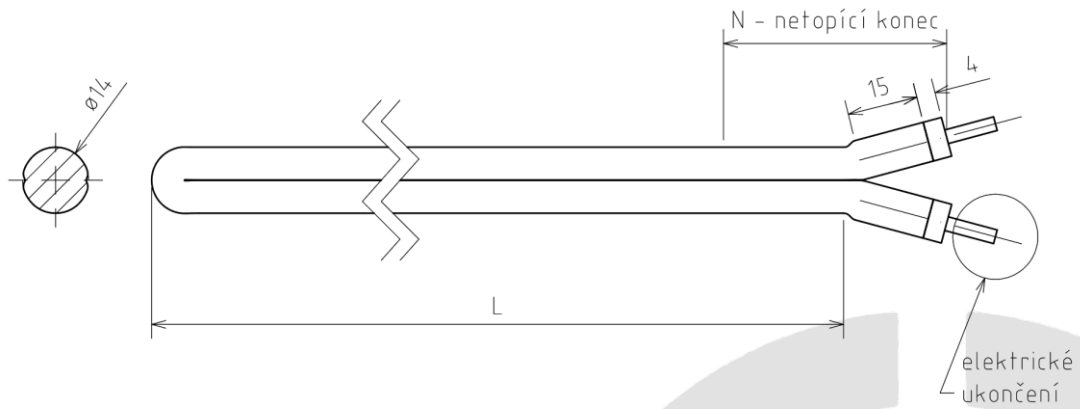


Versions table (Type 01290/... 0)

| Version | U [V] | P [W] |
|---------|-------|-------|
| 001 | 400 | 1500 |
| 002 | 400 | 1000 |
| 003 | 230 | 600 |
| 004 | 230 | 1000 |
| 005 | 230 | 1500 |

Type 01336/...

Heating element for indirect heating of liquids or for heating molds.

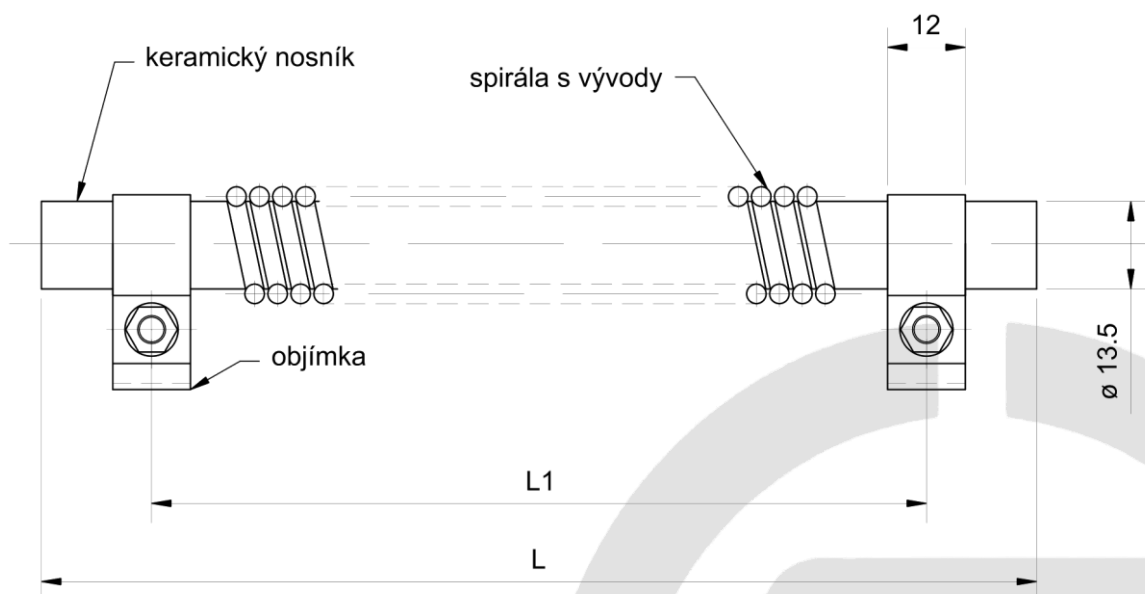


Versions table (Type 01336/... 0)

| Version | U [V] | P [W] | L | N |
|---------|-------|-------|------|----|
| 001 | 115 | 400 | 140 | 40 |
| 002 | 230 | 1000 | 410 | 50 |
| 003 | 230 | 800 | 410 | 40 |
| 004 | 230 | 1200 | 500 | 40 |
| 005 | 230 | 500 | 240 | 40 |
| 006 | 230 | 700 | 350 | 40 |
| 007 | 400 | 1500 | 1460 | 40 |
| 008 | 400 | 3000 | 1170 | 50 |
| 009 | 230 | 800 | 235 | 40 |
| 010 | 230 | 800 | 250 | 50 |

Type 01508/...

Heating element for infrared (radiant) heating. Coil with leads supported in a ceramic carrier.

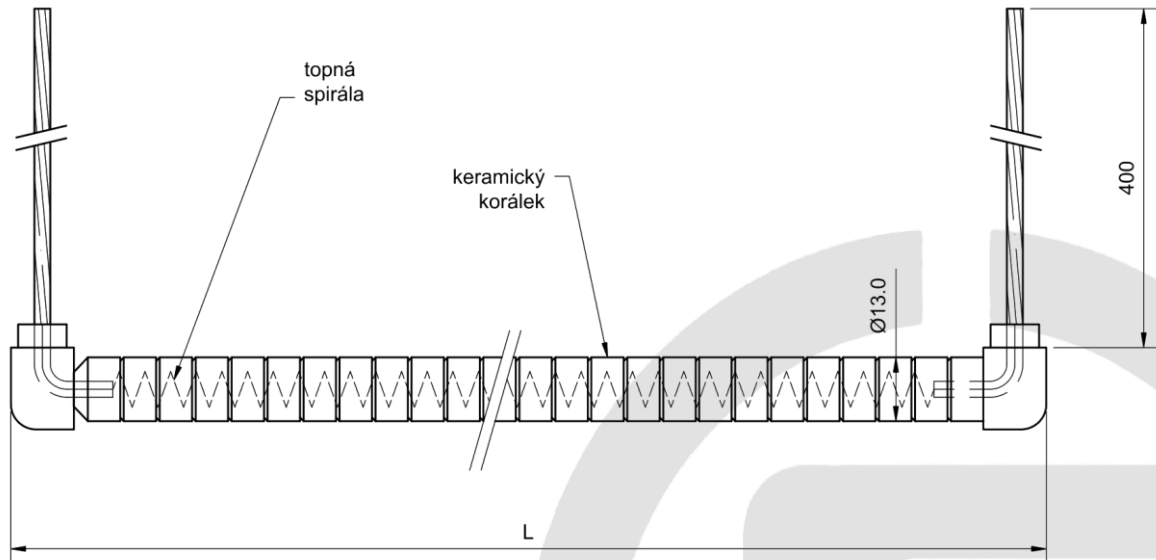


Versions table (Type 01508/... 0)

| Version | U [V] | P [W] | L | L1 |
|---------|-------|-------|-----|-----|
| 001 | 230 | 250 | 220 | 220 |
| 002 | 230 | 250 | 220 | 220 |
| 003 | 230 | 250 | 220 | 220 |
| 004 | 230 | 300 | 260 | 260 |
| 005 | 230 | 300 | 260 | 260 |
| 006 | 230 | 300 | 260 | 260 |
| 007 | 230 | 250 | 220 | 220 |

Type 08004/...

Heating coil in ceramic beads for heating commercial kitchen equipment, etc.



Versions table (Type 08004/... 0)

| Version | U [V] | P [W] | L |
|---------|-------|-------|------|
| 0016 | 230 | 2000 | 1675 |
| 0017 | 400 | 2000 | 1675 |
| 0025 | 400 | 3500 | 5000 |